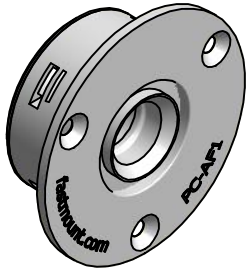


PC-AF1 Autofit female

INDUSTRY FIT:   

SPECIFICATION:

STANDARD RANGE



The Fastmount™ multi-award winning system has revolutionized the mounting of panels. Panels can easily be removed and refitted in any sequence time after time.

Fastmount 'Autofit' PC-AF1 is ideal for applications that require lateral adjustment, such as curved panels. This versatile screw fixed clip works with all standard range male clip types.

BENEFITS

- Lateral panel adjustment all directions
- Installation requires no special tools
- Push fit into 35Ø hole
- Several mounting options
- Works with existing Fastmount clips & centre point CP-01A

APPLICATIONS

- Complex shaped panels where lateral adjustment is required
- Ceiling, wall and exterior panels
- Mounting of curved panels
- Install into a variety of substrates
- Moulded into hull

USE WITH:

VS-M1

PC-SM2

PC-M1A

PC-M2H

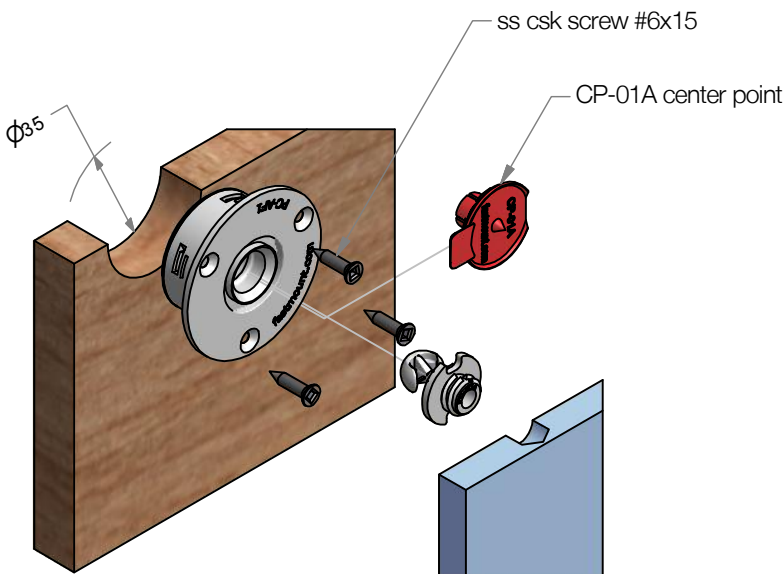
PC-SM2H



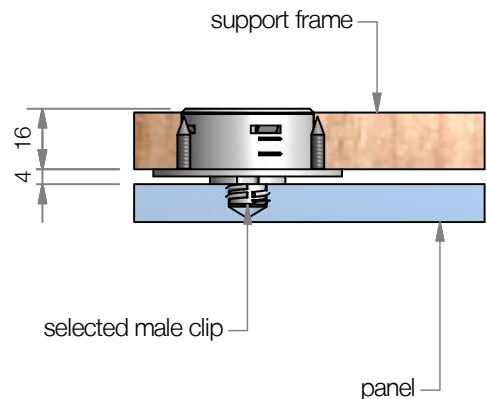
MATERIAL: White acetal copolymer

MORE INFO: Installation Guide IG_PC-AF1, Setout Guide TD-02

INSTALLATION: Partially exploded section through showing typical installation method



Exploded view (1:2)



Typical section (1:2)