



PC-M2H

Panel Clip - self tapping Male Heavy duty

Used with: PC-F1

Material & finish: Black acetal copolymer



General description

The Fastmount™ multi-award winning system has revolutionized the mounting of panels in superyachts and launches. Specifically designed for the marine industry, this innovative system provides a superior finish with perfect alignment every time. Panels can easily be removed and refitted in any sequence time after time.

The Fastmount™ self tapping clip PC-M2H adds to the existing range. Specifically designed for thicker panels with increased loading requirements

Supplied with installation & removal tools (CT-10). Use with PC-F1 & PC-SF1

Benefits

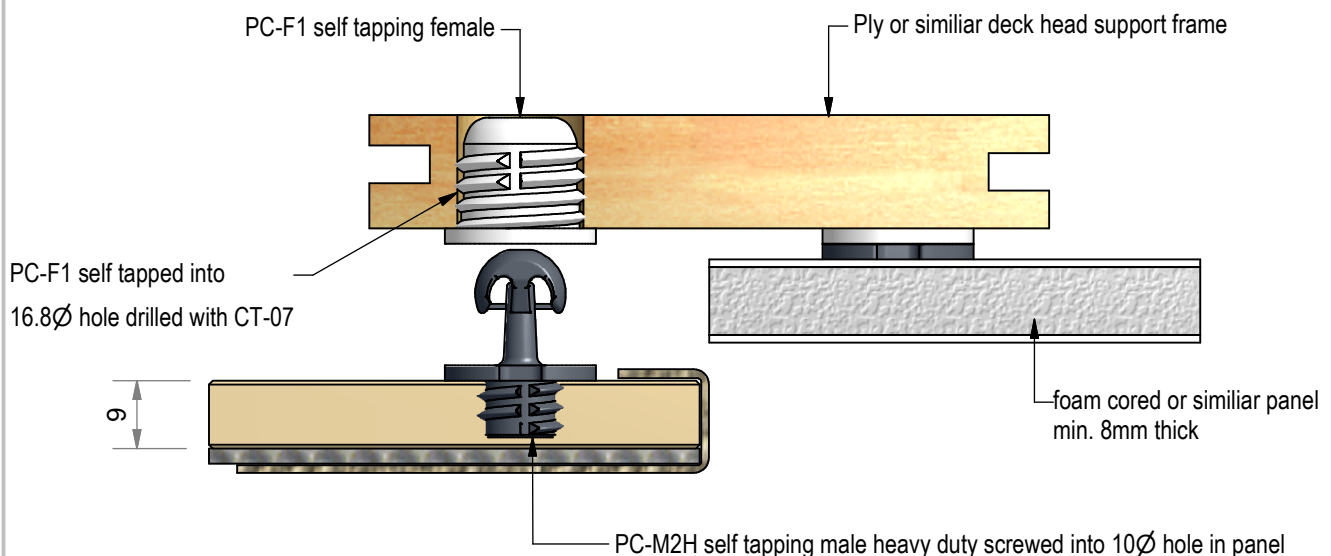
- Self aligning installation without adhesives
- Perfect panel alignment secure mounting every time
- Remove & refit panels in any sequence 100+ times
- Saves time & reduces cost
- 10kg pull out load per clip
- Allows for flexing & expansion of panel & support frame materials

Application ideas

- Suitable for covered or painted & prefinished panels with minimum 8mm thickness
- Ceiling and wall panels
- Exterior panels
- Refits & upgrades of existing installations
- Install into a variety of substrates

Typical installation details

Partially exploded section through showing typical installation



More information

Installation guide IG_PC-ST_CP_0409 with CT10 install tool

Fastmount drawing TD-02 to TD-05 for clip set out & install details

IS_PC-M2H_0409